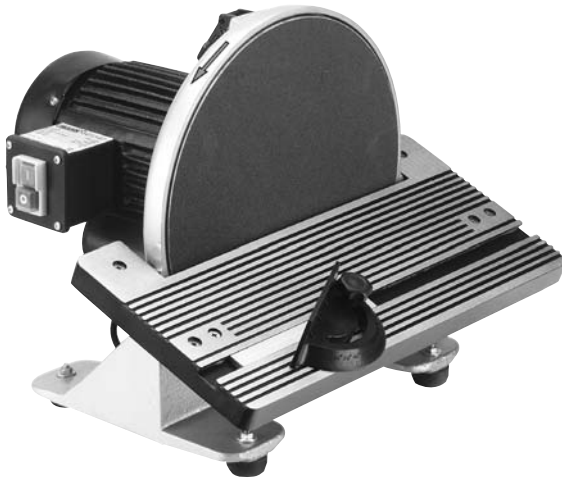


DRAPER[®]

INSTRUCTIONS FOR 305mm 750W Disc Sander

Stock No.88912 Part No.DS305

IMPORTANT: PLEASE READ THESE INSTRUCTIONS CAREFULLY TO ENSURE THE SAFE AND EFFECTIVE USE OF THIS PRODUCT.



CE

DRAPER[®]

GENERAL INFORMATION

Read all these instructions before operating this product and save these instructions.

This manual has been compiled by Draper Tools and is an integrated part of the product with which it is enclosed and should be kept with it for future references.

This manual describes the purpose for which the product has been designed and contains all the necessary information to ensure its correct and safe use. We recommend that this manual is read before any operation or, before performing any kind of adjustment to the product and prior to any maintenance tasks. By following all the general safety instructions contained in this manual, it will ensure both product and operator safety, together with longer life of the product itself.

All photographs and drawings in this manual are supplied by Draper Tools to help illustrate the operation of the product. Whilst every effort has been made to ensure accuracy of information contained in this manual, the Draper Tools policy of continuous improvement determines the right to make modifications without prior warning.



CONTENTS

Contents/Declaration 1
 Specification/Guarantee 2
 Power Supply..... 3
 General Safety Instructions 4
 Additional Safety Instructions 5
 Getting to Know Your Disc Sander 6
 Operation & Use 7-9
 Maintenance/Disposal..... 10
 Explanation of Symbols/Pictograms 10



DECLARATION OF CONFORMITY

We:
 Draper Tools Ltd.,
 Hursley Road,
 Chandler's Ford,
 Eastleigh, Hampshire.
 SO53 1YF
 England.

Declare under our sole responsibility that the product:

Stock No:- **88912.**

Part No:- **DS305.**

Description:- **Disc Sander.**

To which this declaration relates is in conformity with the following directive(s)

98/37/EC, 73/23/EEC, 89/336/EEC.

With reference to:

EN61029-1:2000, EN55014-1:2000, EN55014-2:1997, EN61000-3-2:1995+A2:1998, EN61000-3-3:1995.

J.N. Draper
 Chairman

22/07/2005



SPECIFICATION

The Draper Tools policy of continuous improvement determines the right to change specification without notice.

Stock No.	88912
Part No.	DS305
Voltage	230V~50Hz
Motor (Induction)	750W
Revolutions Per Min. (No Load)	1400
Disc Size	305mm (12")
Table Size	438mm x 156mm
Table Tilt	0-45°
Base Size (Max)	400mm x 216mm
Sound Pressure Level.....	83.3dB(A)
Sound Power Level	96.3dB(A)
Vibration Level	<2.5m/s ²
Weight.....	30kg

ALWAYS WEAR AN APPROVED DUST MASK, SAFETY GOGGLES & EAR DEFFENDERS



GUARANTEE

Draper tools have been carefully tested and inspected before shipment and are guaranteed to be free from defective materials and workmanship.

Should the tool develop a fault, please return the complete tool to your nearest distributor or contact Draper Tools Limited, Chandler's Ford, Eastleigh, Hampshire, SO53 1YF. England. Telephone: (023) 8026 6355.

A proof of purchase must be provided with the tool.

If upon inspection it is found that the fault occurring is due to defective materials or workmanship, repairs will be carried out free of charge. This guarantee period covering parts/labour is 12 months from the date of purchase. The guarantee is extended to 24 months for parts only. This guarantee does not apply to normal wear and tear, nor does it cover any damage caused by misuse, careless or unsafe handling, alterations, accidents, or repairs attempted or made by any personnel other than the authorised Draper warranty repair agent.

Note: If the tool is found not to be within the terms of warranty, repairs and carriage charges will be quoted and made accordingly.

This guarantee applies in lieu of any other guarantee expressed or implied and variations of its terms are not authorised.

Your Draper guarantee is not effective unless you can produce upon request a dated receipt or invoice to verify your proof of purchase within the guarantee period.








Please note that this guarantee is an additional benefit and does not affect your statutory rights.

Draper Tools Limited.



POWER SUPPLY

- Connecting to the Power Supply:

To eliminate the possibility of an electric shock your machine has been fitted with a BS approved, non rewirable moulded plug and cable which incorporates a fuse, the value of which is indicated on the pin face of the plug. If the plug is marked with the  symbol and the fuse needs replacing, an  approved BS1362 fuse must be used of the same amp rating. If the plug is not  marked, a fuse with the  symbol,  BS Kitemark, or both  and  BS Kitemark, of the same amp rating should be used.


- The fuse cover is detachable, never use the plug with the cover omitted. If a replacement fuse cover is required, ensure it is the same colour as that visible on the pin face of the plug (i.e. red). Fuse covers are available from your Draper Tools stockist.

If the fitted plug is not suitable, it should be cut off and destroyed. *The end of the cable should now be suitably prepared and the correct type of plug fitted. See below.

- *WARNING:

A plug with bare flexible wires exposed is hazardous if engaged in a live power socket outlet.

- WARNING: THIS APPLIANCE MUST BE EARTHED.

- The mains lead is coloured Green and Yellow – Earth, Blue – Neutral and Brown – Live.
- As these colours may not correspond with the coloured markings identifying the terminals in your plug, proceed as follows:
- The wire which is coloured green and yellow must be connected to the terminal in your plug which is marked with the letter 'E' or by the earth symbol  or coloured green or green and yellow.

The wire which is coloured blue must be connected to the terminal which is marked with the letter 'N' or coloured black or blue.

The wire which is coloured brown must be connected to the terminal which is marked with the letter 'L' or coloured red or brown.

- EXTENSION LEAD CHART:

Extension lead sizes shown assure a voltage drop of not more than 5% at rated load of tool.

Ampere rating (on Name plate)	3	6	10	13
Extension cable length (Metres)	Wire Size mm ²			
7.5	0.75	0.75	1.0	1.25
15	0.75	0.75	1.0	1.5
22.5	0.75	0.75	1.0	1.5
30	0.75	0.75	1.25	1.5
40	0.75	0.75	1.5	2.5

IMPORTANT:

On products exceeding 2000W it is recommended that the power cable and/or extension cable are fully unwound before a connection is made to the power supply. However, ensure the residual cable does not pose a trip hazard.

GENERAL SAFETY INSTRUCTIONS

WARNING: When using electric tools basic safety precautions should always be followed to reduce the risk of fire, electric shock and personal injury including the following.

Read all these instructions before attempting to operate this product and save these instructions.

SAFE OPERATION

1. KEEP WORK AREA CLEAR

- Cluttered areas and benches invites injuries.

2. CONSIDER WORK AREA ENVIRONMENT

- Do not expose tools to rain.
- Do not use tools in damp or wet locations.
- Keep work area well lit.
- Do not use tools in the presence of flammable liquids or gases.

3. GUARD AGAINST ELECTRIC SHOCK

- Avoid body contact with earthed or grounded surfaces (e.g. pipes, radiators, ranges, refrigerators).

4. KEEP OTHER PERSONS AWAY

- Do not let persons, especially children, not involved in the work touch the tool or the extension cord and keep them away from the work area.

5. STORE IDLE TOOLS

- When not in use, tool should be stored in a dry locked-up place, out of reach of children.

6. DO NOT FORCE THE TOOL

- It will do the job better and safer at the rate for which it was intended.

7. USE THE RIGHT TOOL

- Do not force tools to do the job of a heavy duty tool.
- Do not use tools for purposes not intended; for example do not use circular saws to cut tree limbs or logs.

8. DRESS PROPERLY

- Do not wear loose clothing or jewellery, they can be caught in moving parts.
- Non-skid footwear is recommended when working outdoors.
- Wear protective hair covering to contain long hair.

9. USE PROTECTIVE EQUIPMENT

- Use safety glasses.
- Use face or dust mask if working operations create dust.

10. CONNECT DUST EXTRACTION EQUIPMENT

- If the tool is provided for the connection of dust extraction and collecting equipment, ensure these are connected and properly used.

11. DO NOT ABUSE THE CORD

- Never yank the cord to disconnect it from the socket. Keep the cord away from heat, oil and sharp edges.

12. SECURE WORK

- Where possible use clamps or a vice to hold the work. It is safer than using your hand.

13. DO NOT OVERREACH

- Keep proper footing and balance at all times.

14. MAINTAIN TOOLS WITH CARE

- Keep cutting tools sharp and clean for better and safer performance.
- Follow instruction for lubricating and changing accessories.
- Inspect tool cords periodically and if damaged have them repaired by an authorized service facility.
- Inspect extension cords periodically and replace if damaged.
- Keep handles dry, clean and free from oil and grease.

15. DISCONNECT TOOLS

- When not in use, before servicing and when changing accessories such as blades, bits and cutters, disconnect tools from the power supply.

16. REMOVE ADJUSTING KEYS AND WRENCHES

- Form the habit of checking to see that keys and adjusting wrenches are removed from the tool before turning it on.

17. AVOID UNINTENTIONAL STARTING

- Ensure switch is in "off" position when plugging in.

18. USE OUTDOOR EXTENSION LEADS

- When the tool is used outdoors, use only extension cords intended for outdoor use and so marked.

19. STAY ALERT

- Watch what you are doing, use common sense and do not operate the tool when you are tired.

20. CHECK DAMAGED PARTS

- Before further use of tool, it should be carefully checked to determine that it will operate properly and perform its intended function.
- Check for alignment of moving parts, binding of moving parts, breakage of parts, mounting and any other conditions that may affect its operation.
- A guard or other part that is damaged should be properly repaired or replaced by an authorized service centre unless otherwise indicated in this instruction manual.
- Have defective switches replaced by an authorized service centre.
- Do not use the tool if the switch does not turn it on and off.

21. WARNING

- The use of any accessory or attachment other than one recommended in this instruction manual may present a risk of personal injury.

22. HAVE YOUR TOOL REPAIRED BY A QUALIFIED PERSON

- This electric tool complies with the relevant safety rules. Repairs should only be carried out by qualified persons using original spare parts, otherwise this may result in considerable danger to the user.

SAFETY:

Safety is a combination of operator common sense and alertness at all times when the sander is being used.

WARNING:

For your own safety, do not attempt to operate the disc sander until it is completely assembled and installed according to the instructions and until you have read and understand the following.

1. STABILITY OF MACHINE:

Ensure the machine is positioned on a suitable level non-slip surface. If required the machine may be bolted down.

2. LOCATION:

This machine is intended for indoor use only. The machine should be positioned so the operator is not forced to stand in line with the disc.

3. KICKBACK:

As the disc rotates anti-clockwise, always apply the workpiece left of centre of the disc. Applying the workpiece to the right side could cause it to fly up (kickback) which could be dangerous.

4. PROTECTION:

Eyes, hands, face, ears and body:

- Always wear safety goggles (not glasses) that comply to a recognised standard. Wear a suitable dust mask. Wear ear defenders during operation. Do not wear gloves, jewellery or watches. Roll long sleeves above the elbow. Tie back long hair.
- Do not sand pieces of material too small to hold comfortably by hand.
- Avoid awkward hand positions, where a sudden slip could cause a hand to move into the sanding disc.
- Never stand on the machine.
- Never turn your sander "ON" before clearing worktable of all objects.
- Hold the work firmly against the worktable when sanding.
- Always adjust the worktable to within a maximum of 1.6mm off the sanding disc.
- When sanding a large piece of material, provide additional support at table height.
- Never leave when the machine is on, wait until the machine has come to a complete stop.
- Do not perform assembly or adjustment work on the table while the sander is operating.
- Turn sander "OFF" and remove plug from power supply before removing any accessories.

5. If any part of the disc sander breaks, bends, or fails in any way, or any electrical component fails to perform properly, or if any part is missing, turn off power switch, remove plug from the power supply and replace damaged, missing and/or failed parts before resuming operation.

6. Do not sand with the workpiece unsupported. Support it with the worktable.

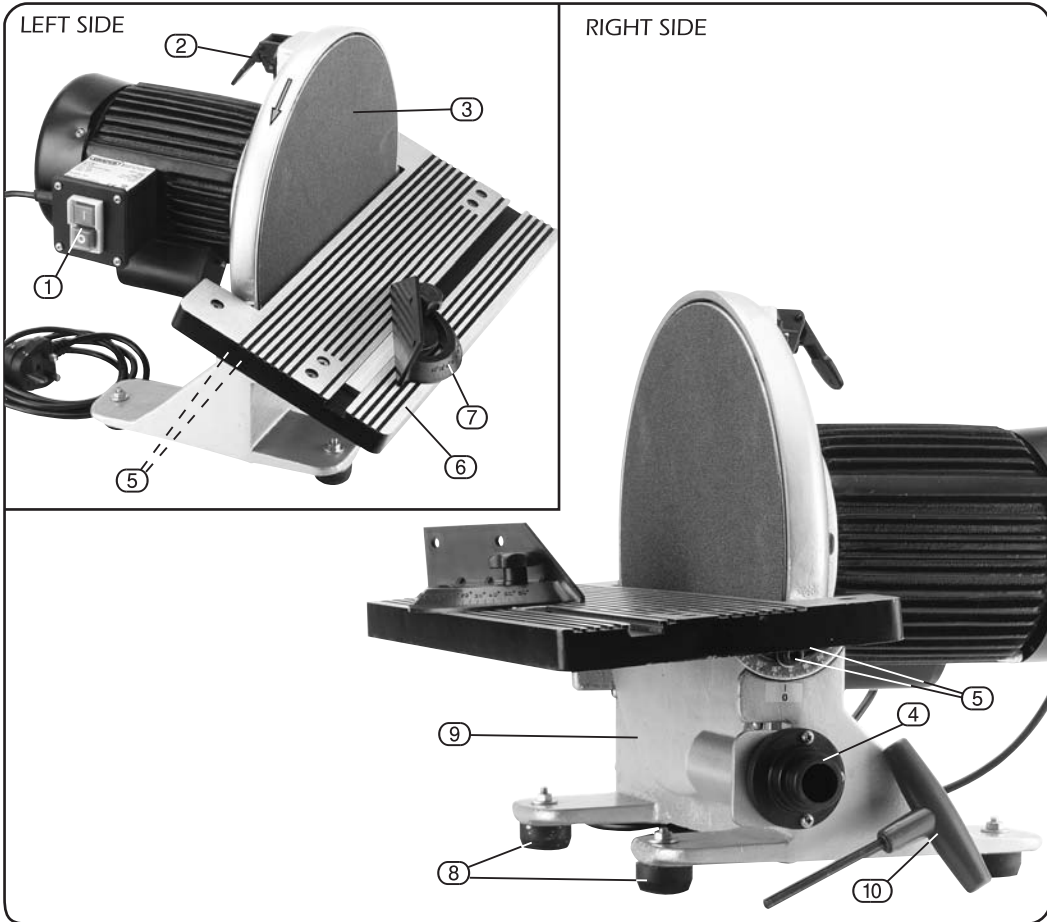
CAUTION:

This disc sander is designed solely for wood and analogue materials only.

7. Do not mix incompatible dusts as there may be a risk of fire or in extreme cases, explosion.
8. Beware of moving parts.
9. Keep work area clean.
10. Ensure dust collection system is connected and operating.
11. Use correct abrasive disc for machine and for the material being processed.
12. Replace abrasive disc when clogged with material or surface/edge has rips, cracks or worn areas.

NOTE:

Abrasive discs are a consumable item.



- | | |
|--|-------------------------|
| (1) No-Volt On/Off Switch. | (6) Worktable. |
| (2) Disc Brake Lever. | (7) Mitre Guide. |
| (3) Abrasive Disc (Self Adhesive Backing). | (8) Rubber Feet. |
| (4) Dust Extraction Outlet. | (9) Lower Disc Guard. |
| (5) Table Tilt Locking Bolts. | (10) Ball End Hex. Key. |

- **UNPACKING:** After removing the packing material, make sure the product is in perfect condition and that there are no visible damaged parts. If in doubt, do not use the product and contact the dealer from whom it was purchased.

The packaging materials (plastic bags, polystyrene, etc.), must be disposed of in an appropriate refuse collection container. These materials must not be left within the reach of children as they are potential sources of danger.

- **NOTE:**

Remove the plug from the socket before carrying out adjustment, servicing or maintenance.

BENCH MOUNTING:

Although the machine is very stable due to its weight and rubber feet, it is recommended to secure the machine to a suitable surface (additional fixings not supplied).

Mark and drill the holes accordingly. Replace the nuts and bolts securing the rubber feet with fixings long enough to incorporate the bench top.

- **NOTE:** Keep the rubber feet between the base and the bench top as this will continue to help reduce vibration.

When considering a suitable location, avoid areas which may lead to awkward operation or difficulty supporting larger pieces of material etc.

- **TABLE SET-UP: (FIGS.1 & 2)**

Prior to any operation ensure the distance between the table and the face of the abrasive disc is no greater than 1.6mm. This should also be checked and adjusted, if necessary, after the table angle has been moved. Check the locking screws (A) on both sides of the table are tight, using the ball end hex. key supplied. The measurement should be taken at two opposing points on the table.

To adjust the table's distance, loosen the six countersunk machine screws (B) and 10mm nuts (on the underside of the table). The table can be adjusted laterally before re-securing the fixing.

If required, the angle adjustment may be set-up using an engineers' square or protractor for complete accuracy.

- **NOTE:**

Application of a wax product on the table surface may aid smooth feeding of material onto the disc.

- **NO-VOLT ON/OFF SWITCH: (FIG.3)**

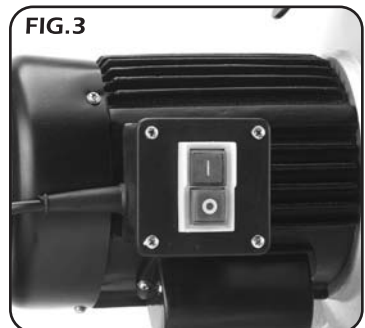
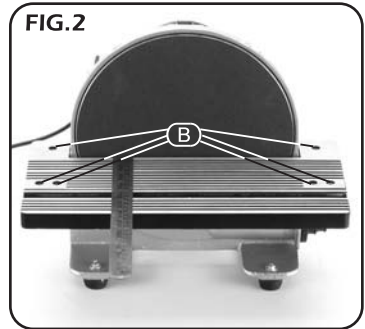
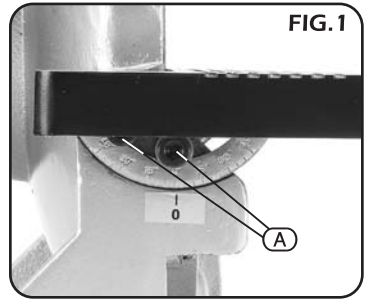
In the event of a power supply disruption, the machine will require manually restarting once power has been returned.

To switch the machine on, press the green button marked 'I'.

To switch the machine off, press the red button marked 'O'.

- **NOTE:**

The sanding disc will continue to rotate for a period of time after the machine has been switched off. Beware of moving parts.



- **DISC BRAKE LEVER: (FIG.4)**

Once the off switch has been operated, the brake lever should be pressed to swiftly and safely bring the sanding disc to a standstill.

- **WARNING:**

Avoid contact with the sanding disc while operating the brake lever.

- **NOTE:** Do not operate the lever while the motor is running.

DUST EXTRACTION:

Inhalation of dust particles can be detrimental to health. The dust outlet must be connected with a dust extraction machine.

- **NOTE:** Due to the outlet diameter, a size adaption may be necessary.

All wood dust (including dust from composites like chipboards and fibre boards etc.) is hazardous to health: it can affect the nose, the respiratory system and the skin. For example MDF (medium density fibreboard) which contains formaldehyde is a known carcinogen. In addition to the above measures a correctly fitted dust mask, suitable for the activity and in accordance to the relevant standard, must be worn.

For work activities involving exposure to fine wood dust, a mask rated to at least FFP2 should be used.

- **DISC SANDING: (FIG.5)**

As the disc rotates anticlockwise, sanding should be carried out left of centre on the disc. Applying the workpiece to the right side could cause the material to fly up (kickback) which may lead to injury.

This disc sander is designed solely for wood and analogue materials only.

The mitre guide, if required, locates in slot (C).

To adjust the angle loosen locking knob (D).

When adjusted tighten locking knob (D) to secure. The guide is useful for chamfering etc.

However it is recommended to trial the correct set-up on a scrap piece of timber.

Replace abrasive discs when clogged with material or when surface/edge has rips, cracks, or worn areas.

- **NOTE:**

Abrasive discs are a consumable item.

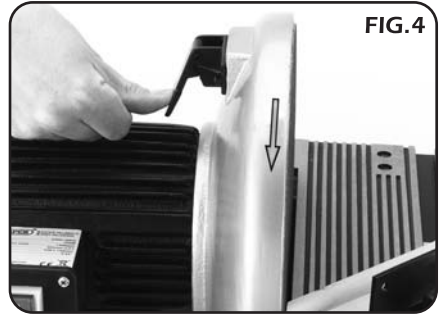


FIG.4

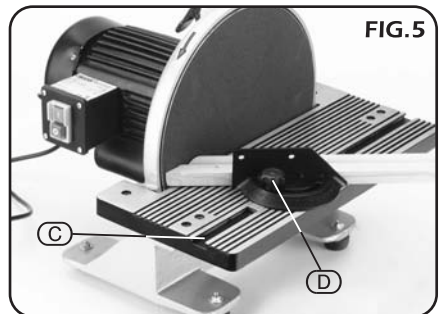


FIG.5

- NOTE:

Remove the plug from the socket before carrying out adjustment, servicing or maintenance.

- REPLACING ABRASIVE DISC: (FIGS.6-8)

Remove screws (E) to enable the worktable (F) to be removed. Remove the two cross slot screws (G) and the dust extraction port (H). Remove screws (I) and the lower disc guard (J). As the abrasive discs are adhesive backed, peel off the used disc and discard. It may be necessary to clean any adhesive residue from the disc with a mild spirit based cleaner prior to adhering the new abrasive disc. Ensure the new disc is positioned centrally.

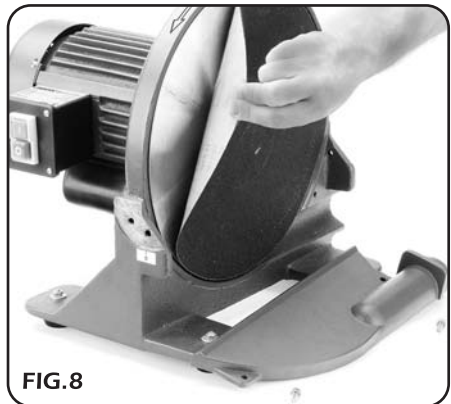
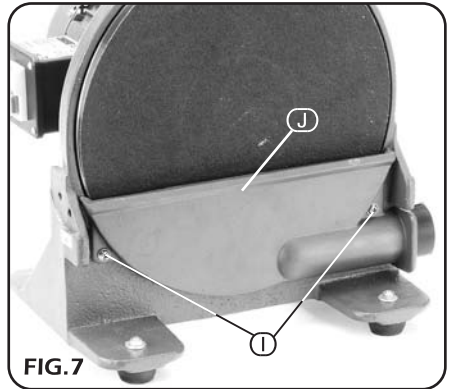
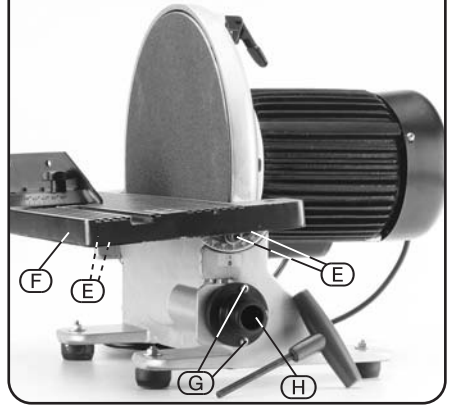
Refit the lower disc guard, dust extraction port and table. Do not operate the machine until all assembly operations are complete.

- NOTE:

Use correct abrasive disc for this machine suitable for the required application.

Do not over tighten the lower disc guard screws as this may damage the casting.

FIG.6



Regular inspection and cleaning reduces the necessity for maintenance operations and will keep your tool in good working condition.

The motor must be correctly ventilated during tool operation. For this reason avoid blocking the air inlets. After use disconnect the tool from the power supply and vacuum the ventilation slots. If the replacement of the supply cord is necessary, this has to be done by the manufacturer or his agent in order to avoid a safety hazard.

- At the end of the machine's working life, or when it can no longer be repaired, ensure that it is disposed of according to UK regulations.
- Contact your local authority for details of collection schemes in your area.

In all circumstances:

- Do not dispose of power tools with domestic waste.
- Do not incinerate.
- Do not abandon in the environment.



Wear an approved dust mask.



Wear safety glasses.



Do not dispose of WEEE* as unsorted municipal waste.



Direction of rotation.

* Waste Electrical & Electronic Equipment.

- **DRAPER TOOLS LIMITED,**
Hursley Road,
Chandler's Ford,
Eastleigh,
Hampshire.
SO53 1YF. U.K.
- **Helpline:** (023) 8049 4344.
- **Sales Desk:** (023) 8049 4333.
- **General Enquiries:** (023) 8026 6355.
- **Fax:** (023) 8026 0784
- **Internet:** www.draper.co.uk
- **E-mail:** sales@drapertools.com

YOUR DRAPER STOCKIST

0AJH290306

©Published by Draper Tools Limited.

No part of this publication may be reproduced, stored in a retrieval system or transmitted in any form or by any means, electronic, mechanical photocopying, recording or otherwise without prior permission in writing from Draper Tools Ltd.